

# ASCO™ SOLENOID VALVE

## 2/2 NORMALLY CLOSED – DIRECT ACTING

**SERIES**  
**L121**

### General Features

Direct acting solenoid valve.  
Suitable to shut off liquid and gaseous fluids (verify the compatibility of fluid with materials in contact).

### Technical Features

Maximum allowable pressure (PS)	40 bar
Opening time	~20ms
Closing time	~20ms
Fluid temperature	-10°C +90°C (NBR) 0°C +130°C (FPM) -10°C +140°C (EPDM)
Max viscosity	5°E (~37 cStokes or mm <sup>2</sup> /s)

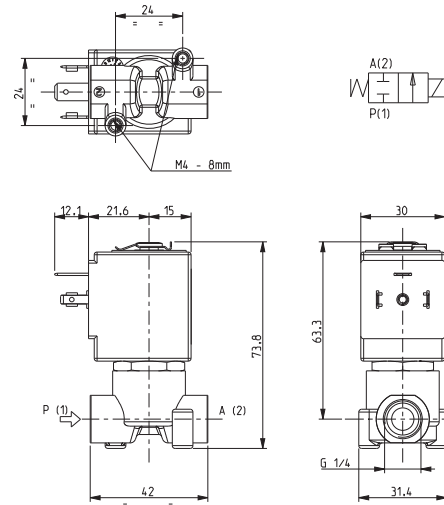
### Approvals

UL (Class F) approval – for UL cl.H: ZA34 (E153691)  
IMQ CSV approval, see ZA10 data sheet for further details  
Compliant with MD 174/2004 and Reg. CE 1935/2004  
NSF certified – only for L121V02



### Materials in Contact with Fluid

Body	Brass
Sealing	NBR or FPM or EPDM
Internal components	Stainless steel
Seat	Brass
Core tube	Stainless steel
Shading coil	Copper



Coil		
Continuous duty	ED 100%	
Encapsulation material	PPS (Polyphenylsulfure) fiberglass reinforced	
Insulation class	F (155°C) on request class H (180°C)	
Ambient temperature	-10°C +50°C	
Electric connections	DIN 46340 - 3 poles connectors (EN175301-803)	
Protection degree	IP 67 (EN 60529) with plug connector	
Voltages	DC	12-24V (+10% -5%)
	AC	ZA10A: 24V/50Hz - 110V/50Hz (120V/60Hz) - 230V/50Hz (+10% -15%) (Other voltages and frequencies on request)

Port size ISO 228	Orifice size (mm)	Differential pressure (bar)	Dp max				Kv (m <sup>3</sup> /h)	Series and type		Power absorption			Sealings	Notes	Weight (kg)								
			Gases		Liquids			Valve	Coil	AC (VA)		DC (W)											
			AC	DC	AC	DC				Inrush	Holding												
G 1/4	1,6	0	30	30	30	30	0,09	L121V02	ZA10A	23	14	9	FPM	1	0,290								
	2,3		20	16	20	16	0,15	L121B02					NBR	1 - 2									
			3,2	12	4	12	4	0,30					L121V02	FPM		1							
	4,5			-	7	-	7						L121D02	EPDM									
				6	2	6	2						0,40	L121B02			NBR						
					-	3	-							3			L121V02	FPM					
				4,5		0	6						2	6			2	0,40	L121V02	ZA10G	-	-	12
	L121B02				FPM																		
	L121V02		NBR																				
	L121D02		EPDM		2																		
	L121B02		NBR		-																		
	L121V02		FPM		-																		
4,5	0	6	2	6	2	0,40	L121V02	ZA10G	-	-	12	NBR	-										
							L121D02					EPDM		2									

### Notes

- Sealings: NBR = Nitrile-butylene elastomer FPM = Fluoro-carbon elastomer EPDM = Ethylene-propylene elastomer
- 1 - On request special coil ZA10X, class "F", with UL approved windings - see overleaf.
- 2 - Model available on request only: ask for minimum quantity.

**SERIES**  
**L121**

**ASCO™ SOLENOID VALVE**  
**2/2 NORMALLY CLOSED – DIRECT ACTING**

Coil for Special Voltages ZA10X	
Approval	UL (Class F); see voltages
Continuous duty	ED 100%
Encapsulation material	PPS (Polyphenylsulfure) fiberglass reinforced
Coil insulation class	F (155°C)
Ambient temperature	-10°C +50°C

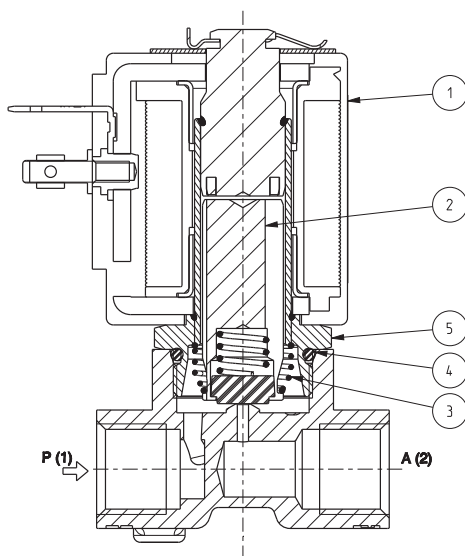
Ambient temperature	DIN 46340 - 3 poles connectors (EN175301-803)	
Electric connections	IP 67 (EN 60529) with plug connector	
Voltages	AC	24V/50-60Hz (UL) • 100V/50-60Hz 115-120V/60Hz • 200V/50-60Hz 220-230V/50Hz - 208-240V/60Hz (UL) 220-240V/50Hz (UL) • (+10% -15%)

Port size ISO 228	Orifice size (mm)	Differential pressure (bar)				Kv (m³/h)	Series and type		Power absorption			Sealings	Notes	Weight (kg)		
		Δp min	Δp max		Valve		Type	Inrush	Holding	DC (W)						
			Gases	Liquids												
AC	DC	AC	DC													
G 1/4	1,6	0	30		30		L121V02	ZA10X	23	14	-	FPM	-	0,290		
	2,3		16		16							L121B02	NBR		1	
			3,2	9		9							L121V02		FPM	
													L121D02		EPDM	
						L121B02	NBR									
						L121V02	FPM									

**Notes**

- Sealings : NBR = Nitrile-butylene elastomer FPM = Fluoro-carbon elastomer EPDM = Ethylene-propylene elastomer
- 1 - Model available on request only: ask for minimum quantity.

**Spare Parts**



Kit description	Model	Kit P.N.	Consisting of:
Core kit	L121B02	G3022804	Core (with core return spring) pos. 2 OR guide assembly pos. 4
	L121V02	G3022803	
	L121D02	G3022801	
Core return spring kit		G515417001	N.10 core return spring pos. 3
OR guide assembly kit	L121B02	GU2421000017	N.10 OR guide assembly pos. 4
	L121V02	GU2424000017	
	L121D02	GU2423000017	
Guide assembly kit		G31486	Guide assembly pos. 5 Coil clip
Coil		ZA10A ZA10G ZA10X	Coil pos. 1

**Installation**

- Solenoid valve can be mounted in any position; vertical with coil upwards preferred.